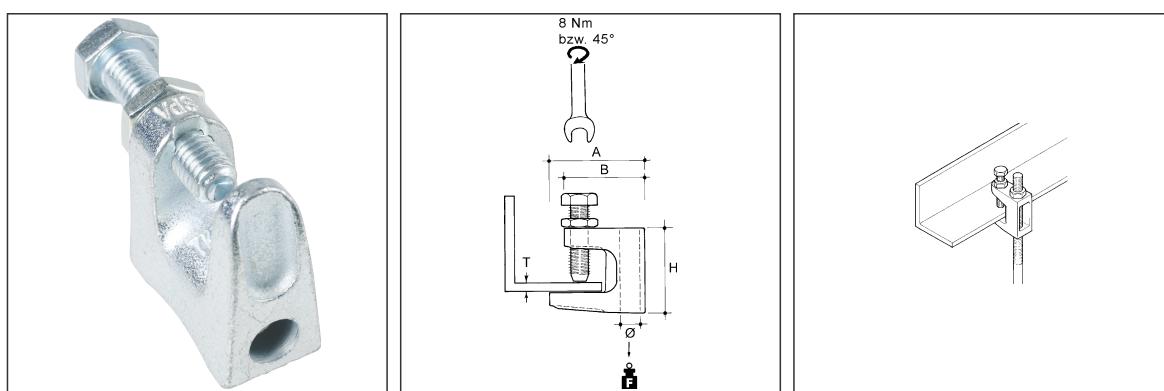


### Screw Clamp

### FC-6T

EAN Code: 4013339745043  
 Smallest packaging unit: 25 pcs.

the photorealistic images are to be considered as reference images



### Article Description

E-KLIPS, screw clamp, t=1-19 mm, Ø M6, steel, zinc coating and chromate

### Additional Price Information

Article group	N12
quantity unit	pcs.

### Weight

Weight per quantity unit	156 g / pcs.
Weight in kg per 100	16 kg / 100pcs.

### Packing Dimension

<b>25 pieces = 1 carton</b>		✓ VP1-smallest packaging unit ( PU)	✓ VP1-preferred PU		
Lenght	278 mm	Width	266 mm	Height	174.00 mm
Gross weight	3,9 kg	Volume	0,013 m <sup>3</sup>		
Min. quantity	25.00 pcs.	Max. Quantity	25.00 pcs.		

### Tender Text

E-Klips, screw clamp, for screwing onto various beam flanges.  
 Dimensions (approx. dimensions)  
 for flange thickness T : 1 - 19 mm  
 Height H x width B : 45 x 42 mm

# Technical Datasheet

## E-clips

FC-6T

the photorealistic images are to be considered as reference images

### Tender Text

Width lower leg A : 50 mm  
for connecting threaded rod : M 6  
Load capacity F : 2.35 kN  
Material : Steel, galvanised/chromated acc. to DIN 50021  
NIEDAX Model no. : FC-6T  
EP Material\_\_\_\_\_ EP Wage\_\_\_\_\_  
Unit price/piece

### Safety & Environment

REACH Date	05.11.2025
REACH Info	Conformable
RoHS Info	Conformable

### Origin & International Trade

Country of origin	GB
Customs tariff number	73269096